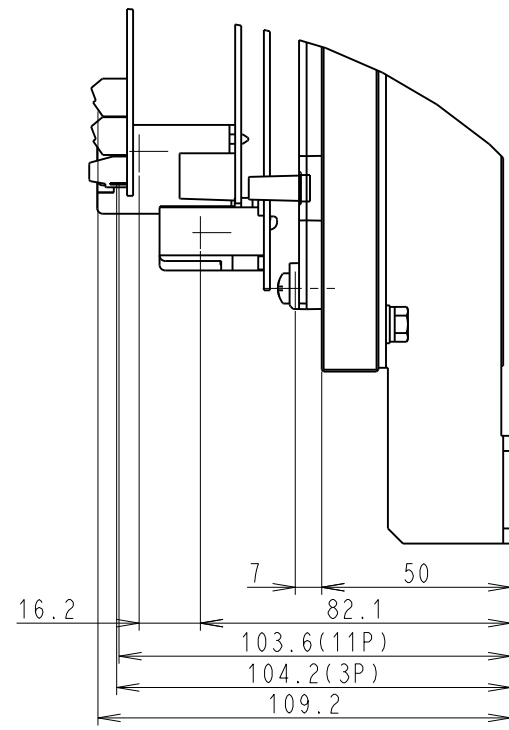
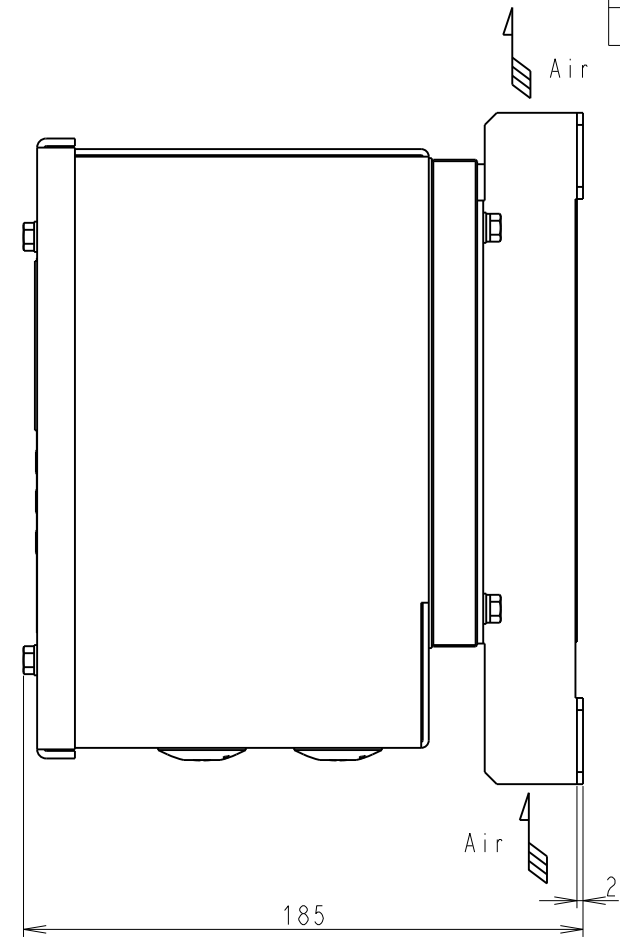
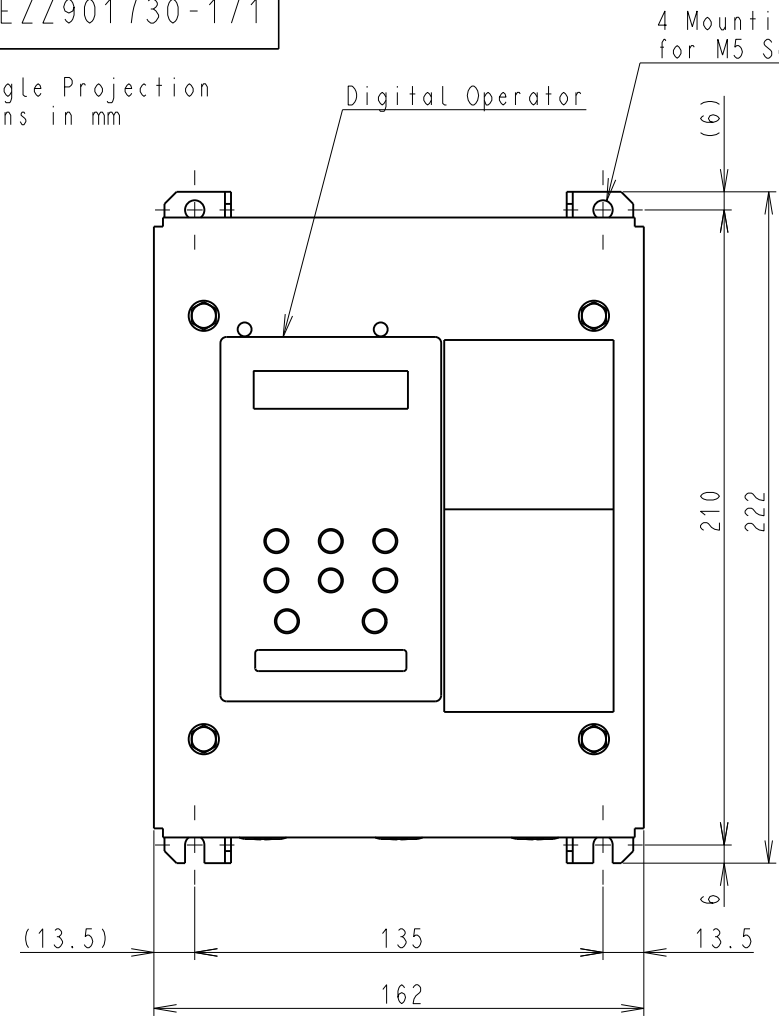


DWG. NO. EZZ901730-1/1

Model No.	Max Appli. Motor (kW)		Terminal Symbol			Cooling Fan	Mass (kg)	
	Normal Duty	Heavy Duty	INPUT OUTPUT(MOTOR)					
CIMR-V#4A0001G	0.4	0.2	R/L1 S/L2 T/L3	U/T1 V/T2 W/T3			-	5.0
CIMR-V#4A0002G	0.75	0.4		-	-	-	-	5.0

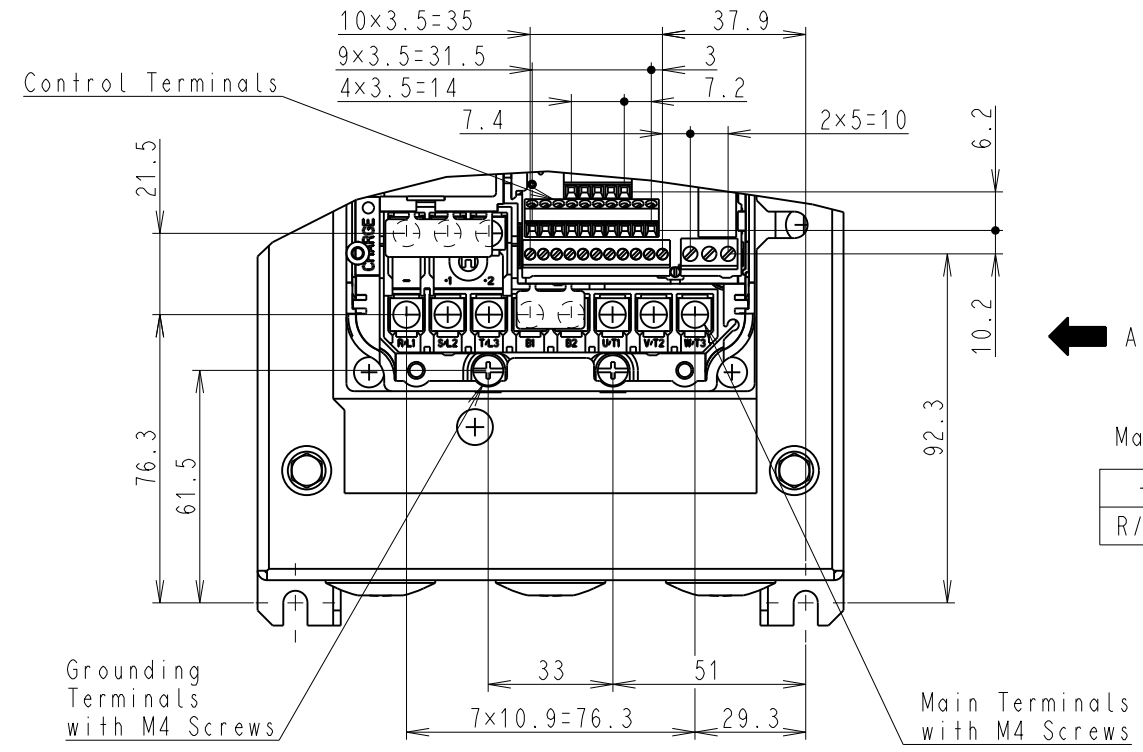
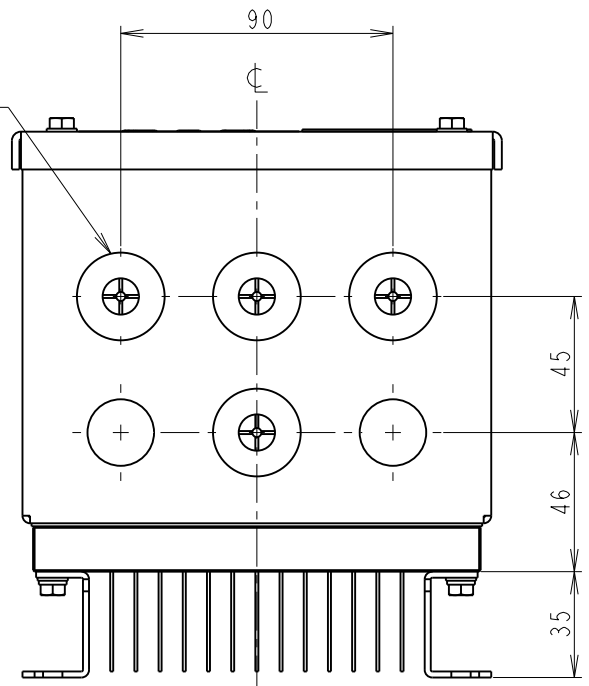
#:A,U

Third Angle Projection
Dimensions in mm



View A

6-22 Dia.
Lead-in Hole
with Rubber Bushing



← A

Main Terminal Location

-	+1	+2					
R/L1	S/L2	T/L3	B1	B2	U/T1	V/T2	W/T3

Detail (without Front cover) SCALE 1:2

REVISIONS	 SCALE 1 : 2.5	 YASKAWA	DRAW. Jul.17,2008 K. Isomoto	TITLE V1000 NEMA4X/IP66 TYPE	DWG. NO. EZZ901730	REV. 1
			CHECK Jul.17,2008 K. Fukuda			
			APPR. Jul.17,2008 H. Okayama			